

Network Access Controller

TS1067 Series



Overview

The Network Access Controller with Wiegand blends the powerful functionality of a TS1066 NAC with a familiar form factor and onboard I/O, ideal for replacing legacy access controllers.

The NAC with Wiegand provides a more accessible entry point for access control customers, including 2,000 users and 4 doors/lifts out of the box, with support for the new Dynamic Product Licensing (DPL) functionality. Paired with the same large memory capacity found on the NAC, DPL enables further expansion of doors and users at any time, with no downtime or additional hardware required. This makes the NAC with Wiegand ideally suited for jobs of all sizes.

All of the advancements you'll find on the TS1066 NAC are also present in the TS1067E NAC with Wiegand, including flexible connection options direct to software and/or ChallengerPlus, user-configurable and scheduled override times on each door/lift, advanced power and battery management, customisable hardware configuration and mapping, advanced diagnostics in CTPlus, and more.

In addition to this existing functionality, the NAC with Wiegand still has even more to offer, with 4 onboard Wiegand inputs, 16 onboard inputs, a new input expander header for up to 2 x TS1021 boards, an additional onboard relay, and a switchable AUX power terminal, which allows for 12 VDC power output to be controlled directly in response to a variety of situations.

Whether used standalone for access control, or in combination with a ChallengerPlus for access control and intrusion, the Network Access Controller with Wiegand is the smart and easy choice for your expanding Tecom system needs.

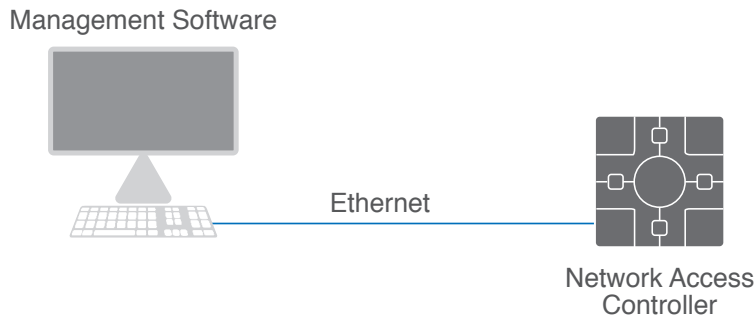
Features

- 4 onboard Wiegand ports
- Allows doors and lifts on a single controller
- Direct connection to supported software
- Compatible with ChallengerPlus panels
- Large memory capacity:
 - Up to 250,000 users
 - 10,000 door groups
 - 50,000 history events
- Dual-BUS to support:
 - Tecom RS-485 readers or expanders
 - OSDP v2
 - Aperio
 - Salto
- Remote flash firmware upgradeable
- Supports Dynamic Product Licensing
- Onboard ethernet
- 16 inputs onboard
- 6 readers per door with any combination of in/out
- Input expander port
- Relay expander port
- Scheduled lock/unlock override times
- User configurable door override times
- Card data can be up to 128 bits on every credential
- Map up to 32 inputs and 16 outputs for use with ChallengerPlus panel
- Up to 100 actions can be scheduled such as lock/unlock and enable/disable.
- Internal error analysis (can find and repair faults avoiding unit malfunction)

System diagram

The Network Access Controller can be configured in several different ways depending on your current system and access requirements.

For new sites with a focus on Access Control

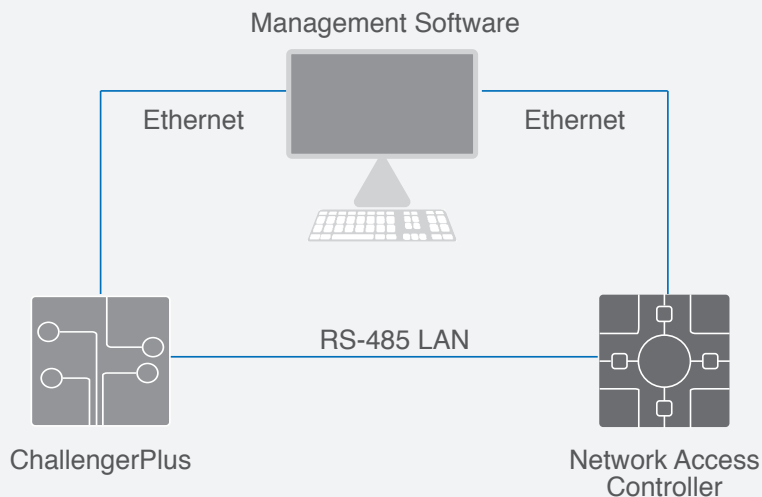


IP Direct Mode

Connects directly to software using IP.

- Up to 250,000 users
- 10,000 Door Groups
- 50,000 Events History
- Up to 8 doors/lifts
- Access only
- Maximum of 100 Floors

For large sites who need both Access Control and Intrusion functions

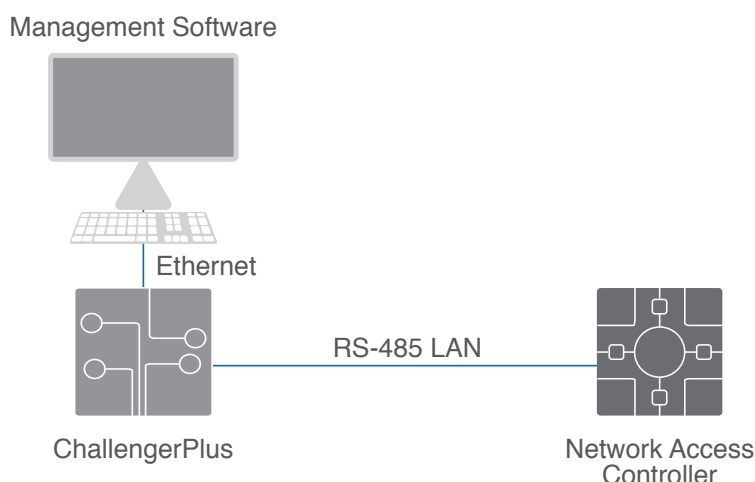


Extended via IP Mode

Connects to software and ChallengerPlus LAN.

- IP: Access
- Challenger LAN RS485: Intrusion
- Increased capacity compared to 4 door controller
- Up to 8 doors/lifts
- Maximum of 100 Floors

For existing installations as an easy upgrade



Classic Mode

RS-485 connected to ChallengerPlus LAN

- Up to 65,535 users
- 255 Door Groups
- 50,000 Events History
- Up to 8 doors/lifts
- Access and Intrusion capability
- Maximum of 64 Floors

Specifications

	Connected directly to software	Connected directly to Challenger panels
System Features		
Ethernet	On-board 10/100 Mbps	On-board 10/100 Mbps
256 Mb RAM	Yes	Yes
Inputs on board	16	16
Relays on board	5	5
Expandable relays	Yes, either on board or using comms bus	Yes, either on board or using comms bus
Expandable Inputs	Yes, either on board or using comms bus	Yes, either on board or using comms bus
Support access control	Yes	Yes
Max. access control doors/lifts	8	8
Anti-passback	Yes	Yes
Communications bus	1 x RS-485 for connection to ChallengerPlus LAN 2 x RS-485 for connection to expanders & readers	1 x RS-485 for connection to ChallengerPlus LAN 2 x RS-485 for connection to expanders & readers
Maximum card bith length	128 bits (48 bits for users that need to use alarm functionality on a connected Challenger panel)	48 bits
System Capacity		
Users (default)	2,000	2,000
Users (max)	250,000	65,535
Door groups	10,000	255
Event log	50,000	5,000
Holidays	100	24
Time zones	2,000	48
Communication paths	10	10
Floors	100	64
Physical & Environmental		
Temperature	Storage: -20 to 80°C Operating: 0 to 50°C	
Relative Humidity	93% non condensing <i>NOTE : Units should only be used in a clean environment and not in humid air.</i>	
Dimensions (mm)	Board only: 218 (W) x 255 (H) x 48 (D) In enclosure: 395 (W) x 580 (H) x 112 (D)	
Weight	Board only: 0.6 kg In enclosure: 12 kg	
Regulatory compliance	ACMA RCM for Australia and New Zealand	
Battery Space	2 x 12 Ah battery	
Electrical		
Input voltage to PCB	15 to 24.5 VAC 100 VA	
Battery test	Yes	
Fuse protection	Resettable Fuses	
Total current limit	3.5 A	
Operating current (no peripherals connected)	226 mA	
Auxiliary power	1 A	
Switched Auxiliary power	1 A	
Intelligent battery charging	Yes	
Siren output current	2 A	
On-board relays	55 mA each (max 2 A each when using lock power 12 V and 0 V)	
BUS 1 & BUS 2	1 A each	
Wiegand	1 A	
Input expander	0.3 A	
Relay expander	1 A	

Network Access Controller

TS1067 Series

National Sales Enquiries
10 Ferntree Place
Notting Hill, Victoria 3168
Phone: 1300 361 479
Outside Australia: +61 3 9239 1200
www.firesecurityproducts.com.au

Ordering Information

Network Access Controller

TS1067E	Network Access Controller with onboard Wiegand
---------	--

TS1067EB	Network Access Controller with onboard Wiegand PCB only
----------	---

Dynamic Product Licensing (NAC w/ Wiegand)

TS1067E-L8DL	TS1067E 8 Door/Lift Expansion License
--------------	---------------------------------------

TS1067E-L65KU	TS1067E 65K Memory Expansion License
---------------	--------------------------------------

TS1067E-L250KU	TS1067E 250K Memory Expansion License
----------------	---------------------------------------

Accessories

ENC-LGE	Multipurpose Enclosure
---------	------------------------



Specifications subject to change without notice.
Carrier Fire & Security Australia Pty Ltd.
© 2023 Carrier. All rights reserved. All trademarks are the property of their respective owners.



TS1067-DS-JULY2023